

Brass Ball Valves PN 40

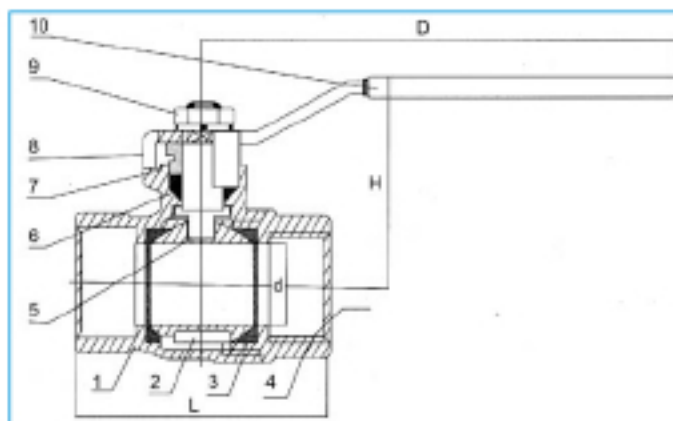
For Water/ Gas/ Oil
Technical Items:

Pressure Rating : PN 40
 Working Medium : Water, Oil, Gas
 End Connection : BS 21 Taper/ NPT



Material Specification:

Sr. No.	Description	Material
1	Body	Brass CW617N
2	Seat Retainer	Brass CW617N
3	Ball	Brass CW617N
4	Seat	PTFE
5	Stem	Brass CW617N
6	Packing	PTFE
7	Gland Nut	Brass CW617N
8	Lever	Mild Steel
9	Lever Nut	Stainless Steel
10	Lever Cover	PVC



Dimensional Data:

DN	d	L	H	D
1/2"-DN15	14	53	44	95
3/4"-DN20	19	61	51	110
1"-DN25	24	71	55	110
1.1/4"-DN32	31	85	65	140
1.1/2"-DN40	38	92	70	140
2"-DN50	49	114	83	160

C & R Valves Pvt. Ltd.

125, Nirman Indl. Estate, New Link Road, Chincholi, Malad (West), Mumbai – 400064.
 Tel.: 91-22-28792688 Fax: 91-22-28762691 Email: info@cnrvalves.com Website: www.cnrvalves.com

Ball Valves



- BUTTERFLY VALVES
- BALL VALVES
- POT STRAINERS
- WAFER NON-RETURN VALVES
- DUAL PLATE NON-RETURN VALVES
- Y-STRAINERS

www.cnrvalves.com



Regn. No.: QAI/IN/869-A

Butterfly Valves – PN10/ PN16/ PN25 (GBO)

General Specification:

Temperature Rating :	-20 °C to +135 °C
End Connections :	Wafer flangeless
Testing :	As per IS 13095-91
Actuation :	By hand lever/ Worm gear box

Material Specification:

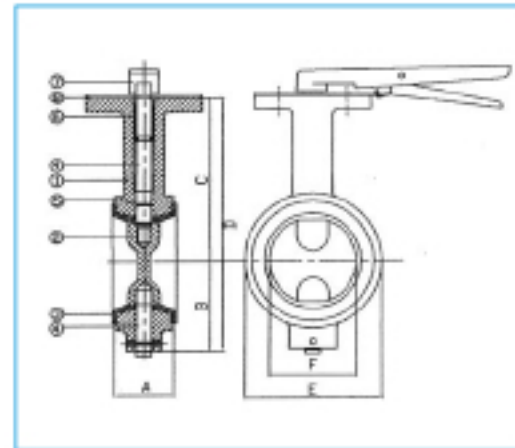
Sr. No.	Description	Material
1	Body	IS 210 Cast Iron FG 210 IS 1865 SG Iron 400/ 15
2	Disc	IS 210 Cast Iron FG 210 (Epoxy Powder Coated) IS 1865 SG Iron 400/ 15 (Epoxy Powder Coated) ASTM A216 C.S. (Epoxy Powder Coated) ASTM A351 CF8/ CF8M S.S. IS 305 GRD 40 AB1 AL.Bronze
3	Seat	Nitrile Rubber/ EPDM
4	Shaft	IS 1570 C.S. grade 40C8; IS 6603 S.S. type 410
5	O-Ring	Nitrile Rubber/ EPDM
6	Bush	Nylon
7	Lever	Carbon Steel (Epoxy Paint)
8	Clutch plate	Carbon Steel (Epoxy Paint)

Installation:

C&R Butterfly valves have been designed for installation between flanges drilled as per IS 1538 also be provided for installation between flanges drilled to ANSIB 16.5, DIN2632/ 2633 BS10 table.

Nom. size		Dimensions in mm						Weight in Kg.	
mm	Inch	A	B	C	D	E	F	Hand Lever	Gear Box operated
40	1 ½	33	50	96	146	73	42	2.2	5.2
50	2	43	64	105	169	91	56	2.8	5.8
65	2 ½	46	69	111	180	101	68	2.9	5.9
80	3	46	76	118	194	114	80	3.5	6.5
100	4	52	94	137	231	150	100	5.8	8.8
125	5	56	106	156	262	173	126	8.0	11.0
150	6	56	121	181	302	206	150	11.0	14.0
200	8	64	150	214	364	252	194	16.0	19.0
250	10	70	195	245	440	320	244	NA	26.2
300	12	82	227	268	495	374	295	NA	39.0
350	14	86	250	305	555	415	345	NA	48.5

All dimensional are in mm. The specifications are subject to change in the course of product development.



Gear Operated Butterfly Valves – PN10/ PN16

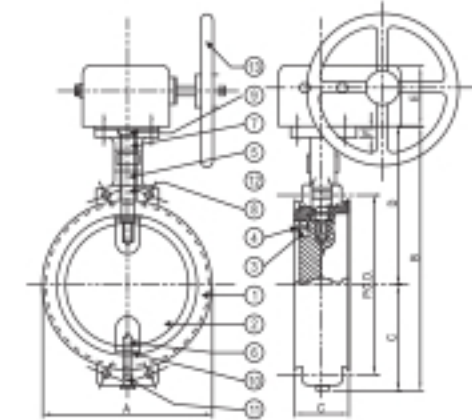
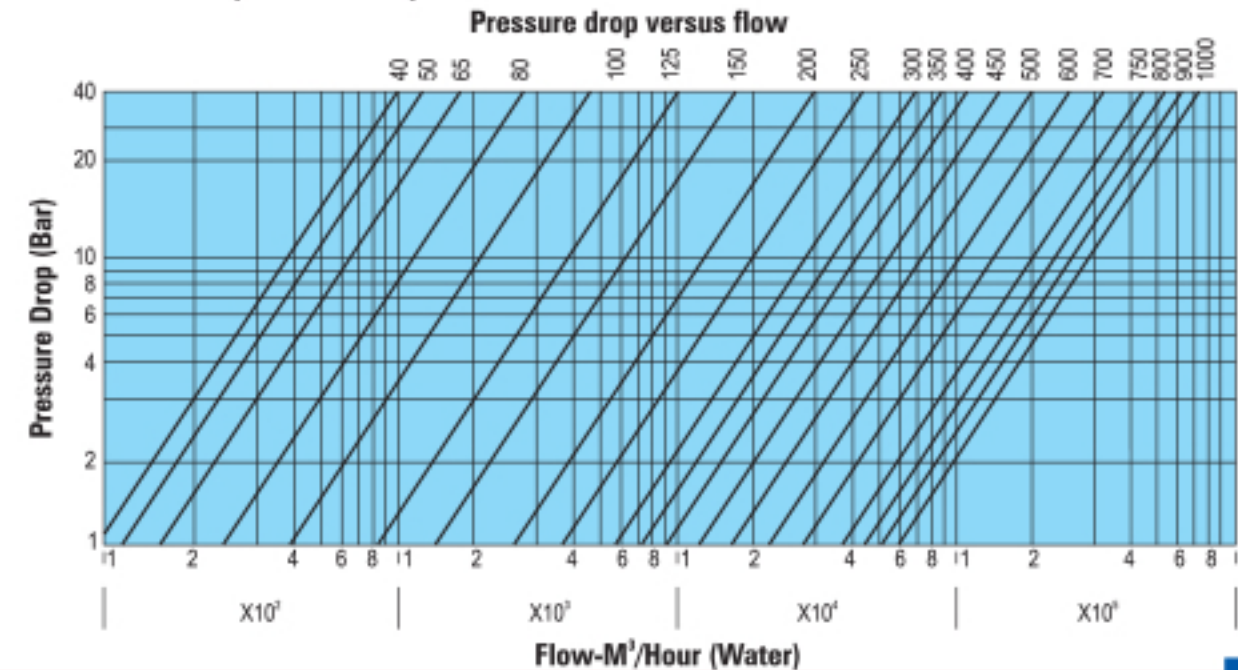
WAFER TYPE (Liner mounted on disc) 400-600 mm Valves

Size (mm)	A	B	C	D	E	F	G	PCD	Wt. kg
400	477	750	316	434	105	20	140	515	118
450	527	818	356	462	105	20	152	565	117
500	582	871	381	490	195	20	152	620	143
600	682	1004	439	565	215	22	178	725	185

Material Specification:

Sr. No.	Description	Material
1	Body	IS 210 Cast Iron FG 210
2	Disc	IS 210 Cast Iron FG 210 (Epoxy Powder Coated) ASTM A216 C.S. (Epoxy Powder Coated)
3	Seat	Nitrile Rubber
4	Seat Fastner	SS 304
5	Top Shaft	SS 410
6	Bottom Shaft	SS 410
7	Bush	Nylon
8	Retainer	SS 410
9	O-Ring (Body)	Nitrile Rubber
10	O-Ring (Disc)	Nitrile Rubber
11	Set Screw	C.S. IS 1570

The specifications are subject to change in the course of product development.



Dual Plate Non Return Valves – PN10/ PN16/ PN25

General Specification:

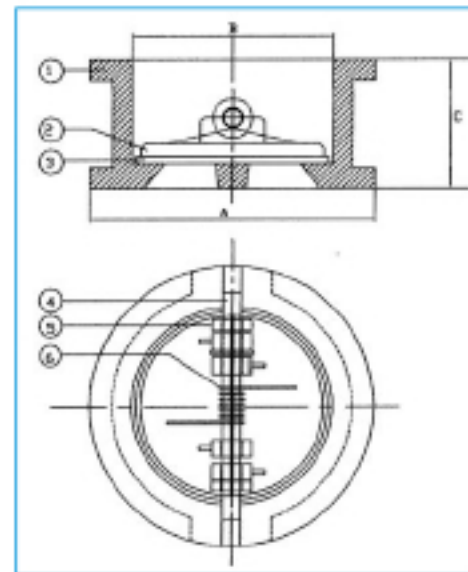
- a) Anti-slam action
- b) End Connections: Wafer flangeless
- c) Temperature Rating: -20 °C to +135 °C
- d) Lift and pivot disc action
- e) Recommended for both horizontal & vertical installations

Material Specification:

Sr. No.	Description	Material
1	Body	IS 210 Cast Iron FG 210 IS 1865 SG Iron 400/ 15
2	Disc	IS 210 Cast Iron FG 210 (Epoxy Powder Coated) ASTM A351 CF8/ CF8M S.S. IS 305 GRD 40 AB1 AL.Bronze
3	Seat	Nitrile Rubber/ EPDM
4	Shaft	IS 1570 C.S. grade 40C 8; IS 6603 S.S. type 410
5	Body Bearing	Nylon
6	Spring	SS304

Dimensional Data:

Valve Size (mm)	A (mm)	B (mm)	C (mm)
50	105	60	60
65	124	73	67
80	137	89	73
100	175	114	73
125	197	141	86
150	251	168	98
200	179	219	127
250	340	273	146
300	410	324	181

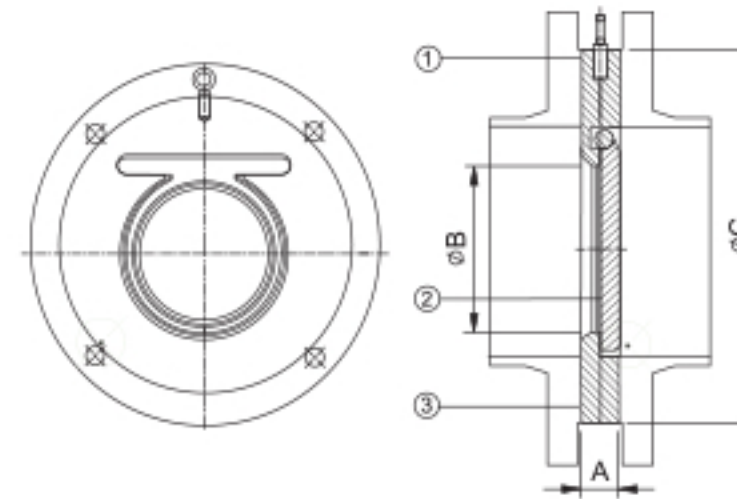


All dimensions are in mm. The specifications are subject to change in the course of product development.

Single Plate Non-Return Valves

Material Specification:

Sr. No.	Description	Material
1	Body	IS 210 FG 220 C.I.
2	Disc	Mild Steel Epoxy Coated
3	O-Ring	Nitrile Rubber



Dimensional Data:

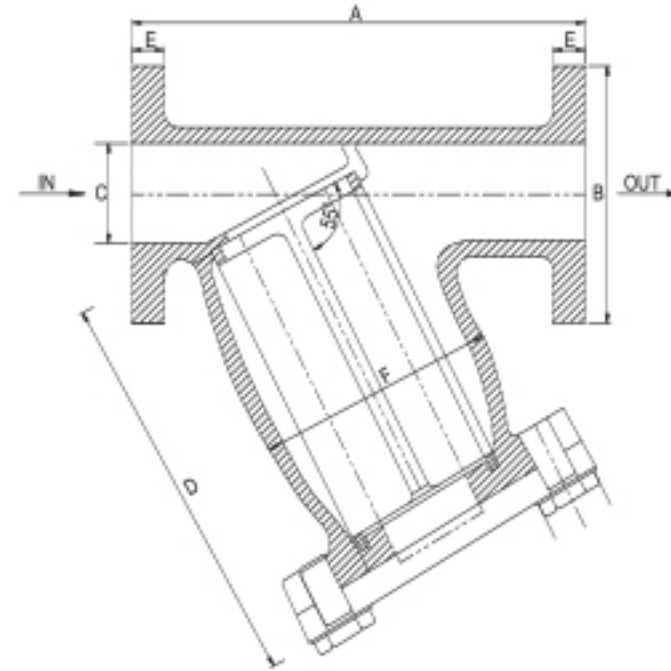
Nominal Size	Dimensions		
mm	A	B	C
40	17	20	88
50	20	28	98
65	20	40	118
80	20	52	126
100	22	71	153
125	23	93	183
150	23	114	210
200	25	157	268
250	30	200	330
300	35	230	380
350	40	270	440

-  Vertical installation only
-  Design water flangless
-  Maximum working pressure 10kg/CM sq.
-  Maximum working temperature 80°C

Y-Strainer

Material Specification:

Sr. No.	Description	Material
1	Body	IS 210 Cast Iron FG210
2	Bonnet	IS 210 Cast Iron FG210
3	Strainer	S.S. 304/ Brass
4	Seat	Nitrile Rubber



Dimensional Data:

Nominal Size	Dimensions						Weight in Kg.
	A	B	C	D	E	F	
40mm (1 1/2")	206	136	40	136	15	90	8.5
50mm (2")	215	157	50	157	16	105	9.5
65mm (2 1/2")	232	168	65	168	16	118	13.00
80mm (3")	245	185	75	181	20	125	18.00
100mm (4")	315	215	105	212	20	165	26.00
125mm (5")	335	245	135	244	20	198	42.00
150mm (6")	385	282	165	265	25	218	54.00
200mm (8")	465	310	205	315	25	250	65.00

Y-Strainer

PN16 Pot Strainer

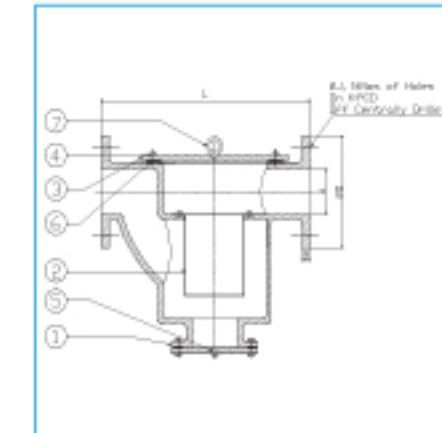
Product Specification:

Available Sizes	: 40mm to 250mm
End Connection	: Flanged End to ANSI B16.5 RF 150#
Inspection & Testing Standard	: BS 6755 (Part-1)



Material Specification:

SR NO.	PART	MOC
1	Body	Cast Iron IS 210 Gr. FG 200
2	Screen	SS 304
3	Cover	Cast Iron IS 210 Gr. FG 200
4	Cover Bolts	Carbon Steel
5	Drain Plug	Carbon Steel
6	Cover Gasket	CAF
7	Eye Hook	ASTM A 307 Gr.B



Testing Data:

Body Test:-Hydraulic at 15 Kg/Cm2

Dimensional Details:

SIZE	A	B	D	J	K	L	N
40MM	38	14.7	125	15.9	98.4	251	4
50MM	51	16.3	150	19.5	120.7	330	4
65MM	64	17.9	180	19.5	139.7	382	4
80MM	76	19.5	190	19.5	152.4	460	4
100MM	102	24.3	230	19.5	190.5	515	8
150MM	152	25.9	280	22.2	241.3	620	8
200MM	203	29	345	22.2	298.5	680	8
250MM	254	30.6	405	25.4	362	730	12

All Dimensions are in mm. Dimensions and design subject to change without notice in course of product development.

PN16 Pot Strainer